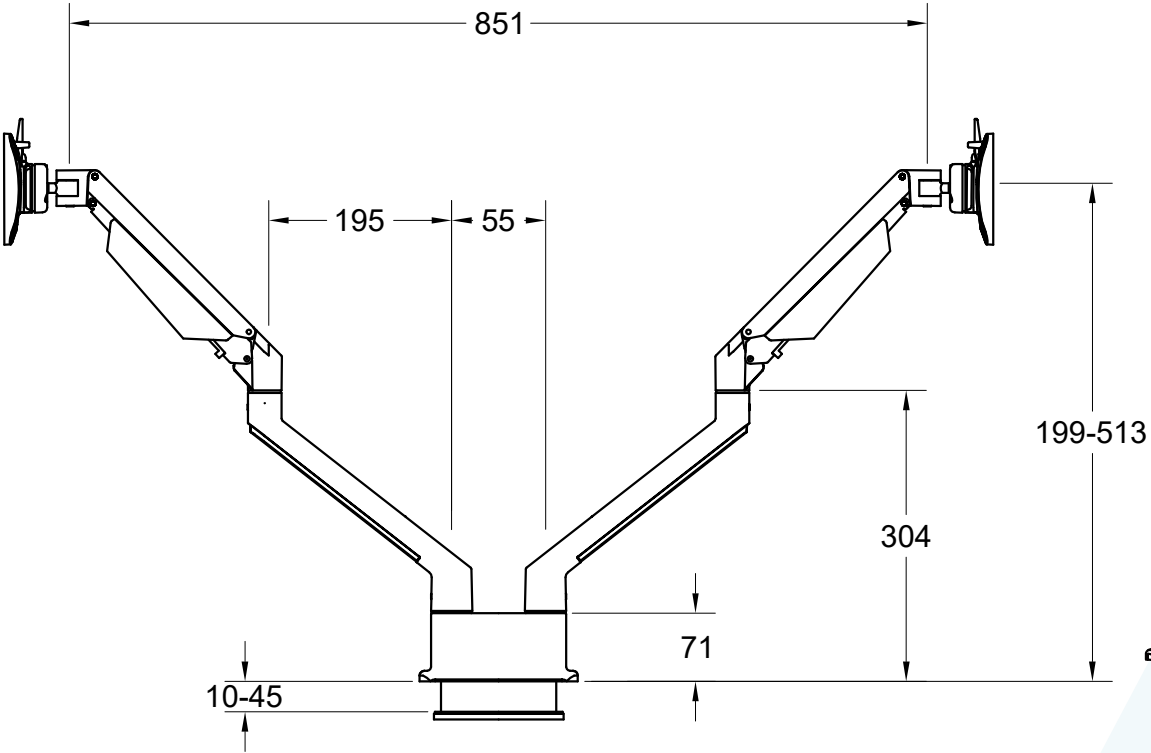
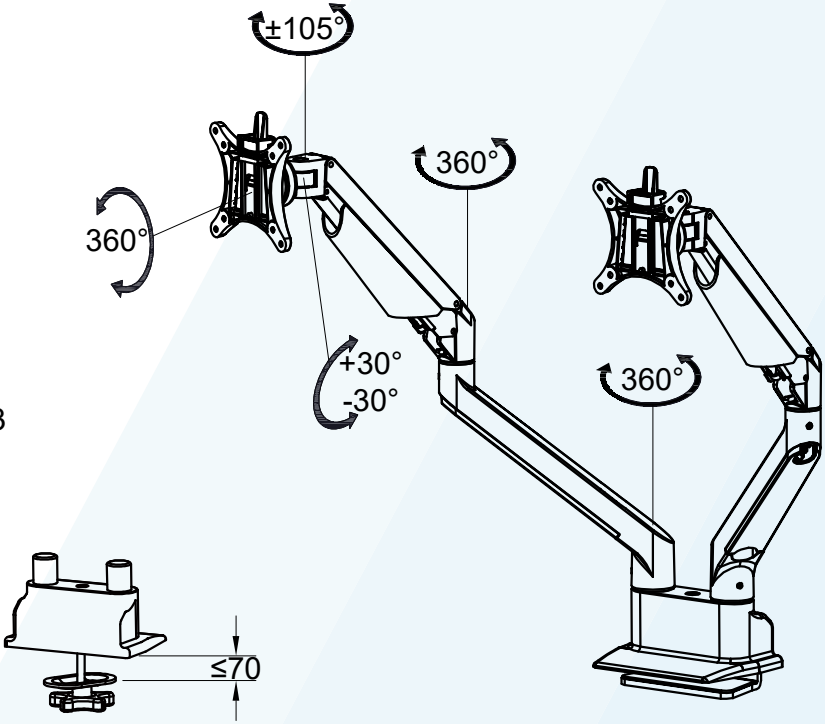


Technical specification sheet



Product Dimensions



Product adjustment angle