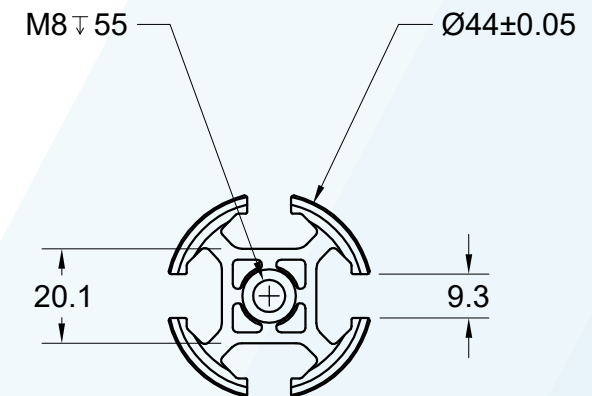
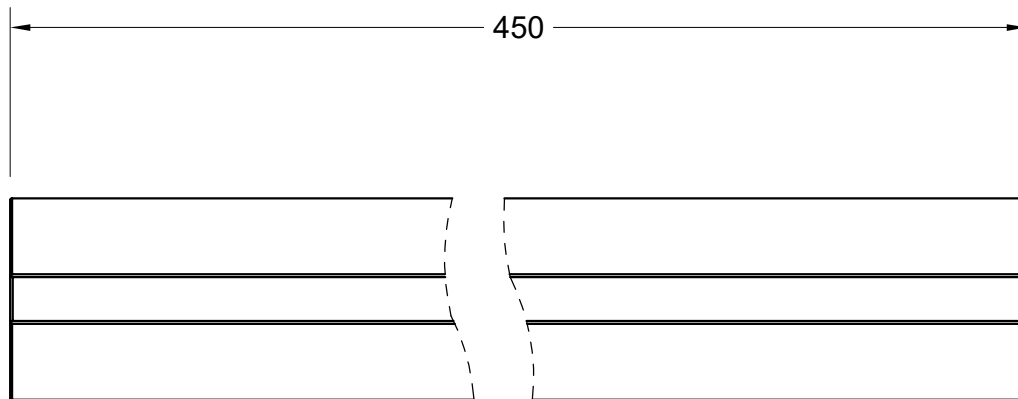


# Technical specification sheet



Product Dimensions